

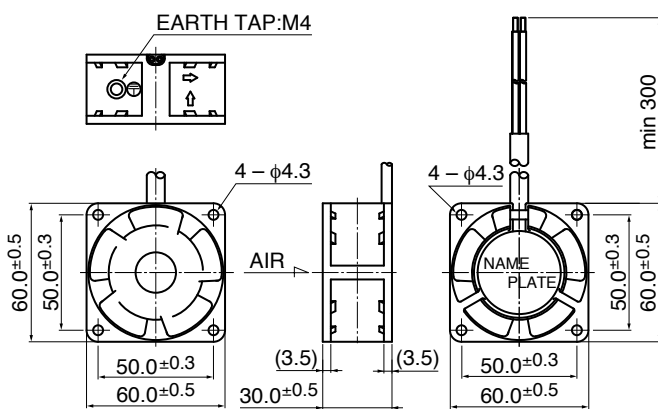
# 06030PB (2412PS)

60<sup>□</sup>X30<sup>L</sup>

## AC Axial Fan



### Outline



\* Only flange type casing is available.

### General Specifications

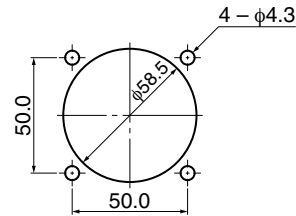
Motor Structure	Shaded Pole Induction Motor
Motor Protection	Impedance Protection
Insulation Resistance Min	100MΩ by DC 500V Megger
Dielectric Withstand Voltage : AC1800V 3s	
Allowable Ambient	- 10°C ~ + 70°C (Operating)
Temperature Range	- 40°C ~ + 70°C (Storage)
	non-condensing environment

### Expected Life ※ Failure Rate: 10% (L10 Life)

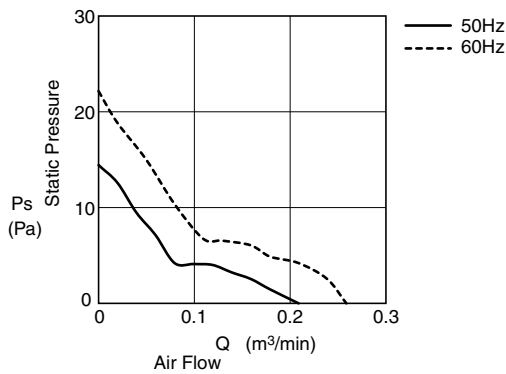
25°C 100,000 (Hours)

### Panel Out-cuts

(Inlet Side) / Outlet Side



### Characteristic Curves



### Material

Casing	: Aluminum (Black Painting)
Impeller	: Plastic (Black) UL94V-0
Bearing	: Ball Bearing
Lead Wire	: UL3266, AWG22

### Specifications

Model	Rating Voltage	Frequency	Starting Voltage	Current	Input Power	Speed	Max. Air Flow		Max. Static Pressure		Noise	Mass
	(V)	(Hz)	(V)	(A)*2	(W) <sup>+10% -20%</sup>	(min <sup>-1</sup> )*3	(m <sup>3</sup> /min)*1	(CFM)*1	(Pa)*1	(In H <sub>2</sub> O)*1	(dB)*1	(g)
06030PB-A0L-AA-00 *2412PS-10W-B30-B00	100	50	65	0.080	6.0	2000	0.20	7.1	13.7	0.05	28.0	140
		60		0.070	5.0	2600	0.26	9.3	22.6	0.09	29.0	
06030PB-A1L-AA-00 *2412PS-12W-B30-A00	115	50	65	0.070	4.5	2000	0.20	7.1	13.7	0.05	28.0	140
		60		0.060	4.0	2600	0.26	9.3	22.6	0.09	29.0	

Rotation: Counterclockwise as seen from the label side  
 Airflow Outlet: Label side  
 \*Legacy Part Number

\*1: Average Values in Free Air  
 \*2: Maximum Values in Free Air  
 \*3: Minimum Values in Free Air